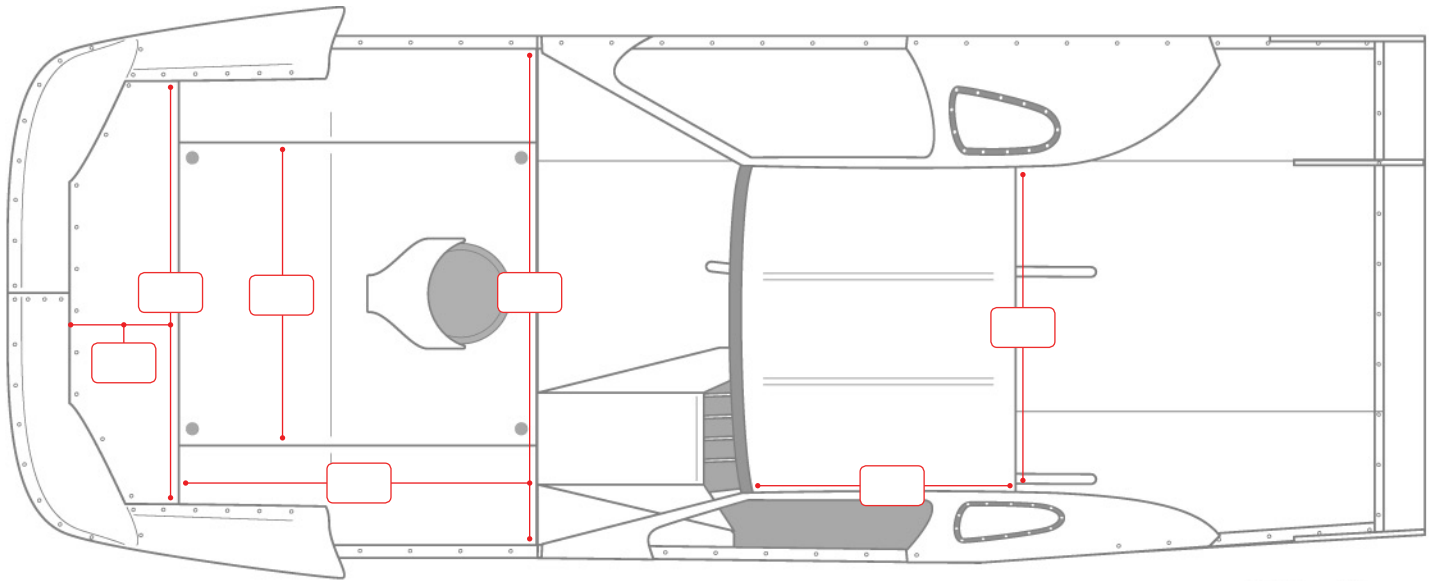
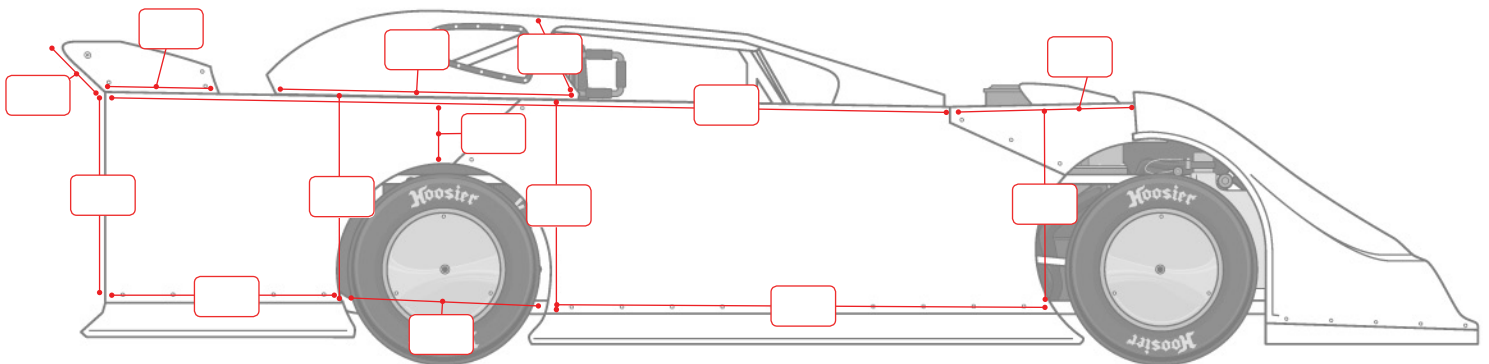
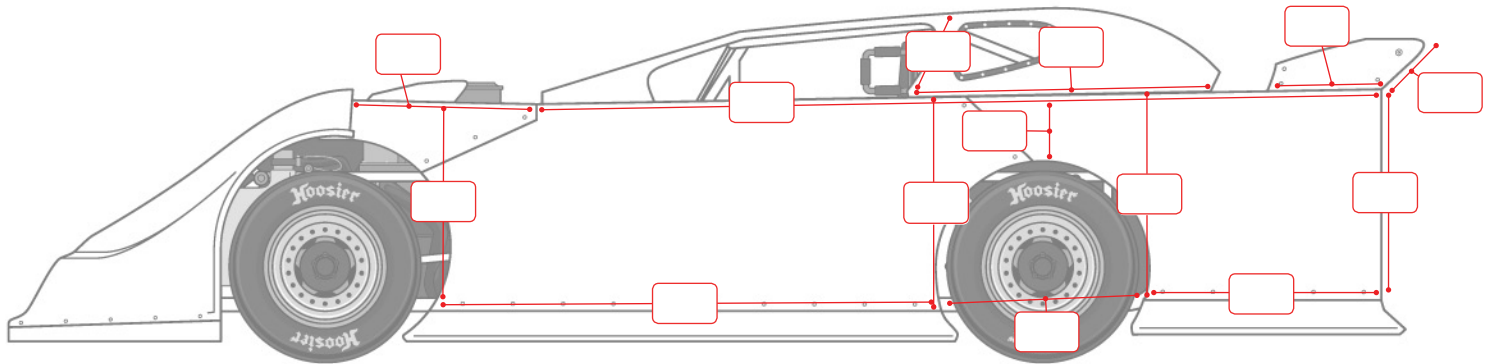


# Dirt Late Model Measurement Sheet



WING FRONT ↗

↖ WING BACK



**(318) 450-6004**

**fastgraphixdesigns@gmail.com**

**www.fastgraphixdesigns.com**

Name \_\_\_\_\_

Phone# \_\_\_\_\_

Email \_\_\_\_\_

Date \_\_\_/\_\_\_/\_\_\_

Please fill in all measurements on sheet.  
Once Completed make sure to put your name and contact  
Information on the gray box.