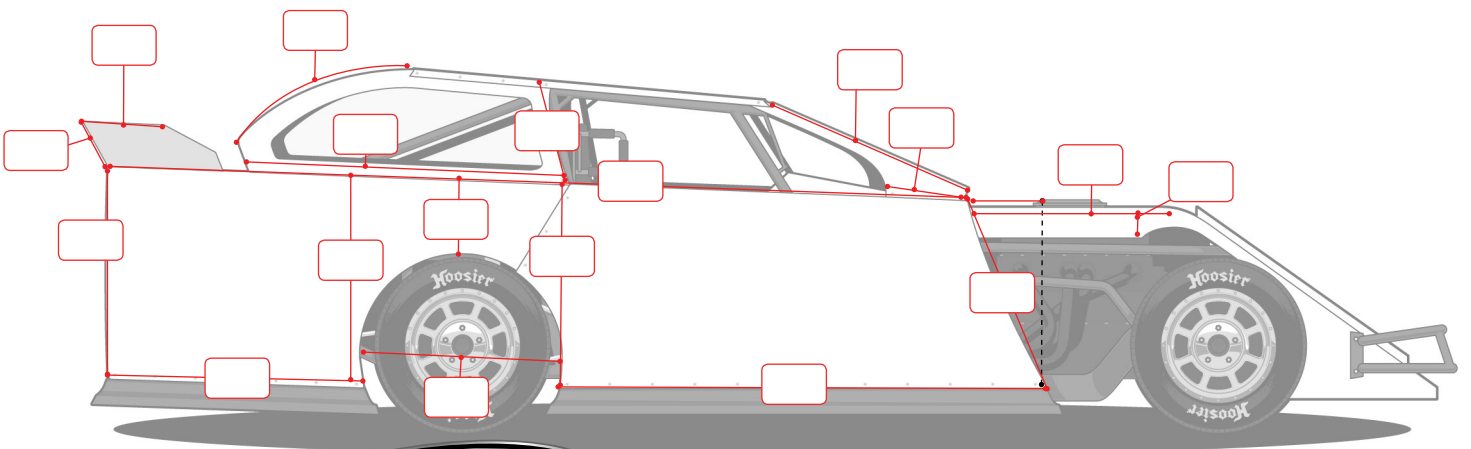
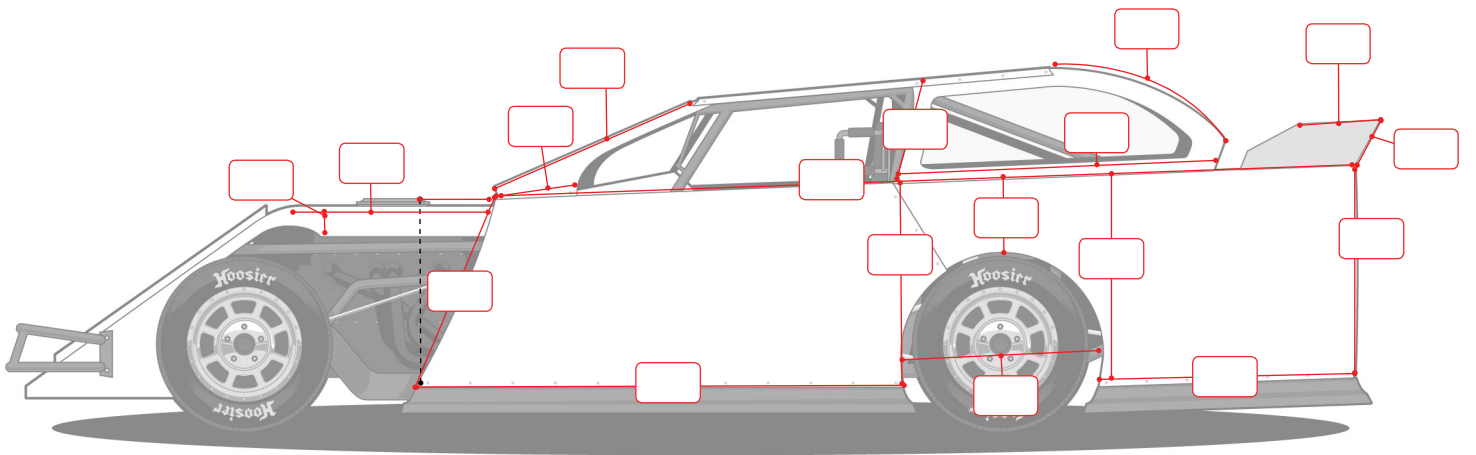
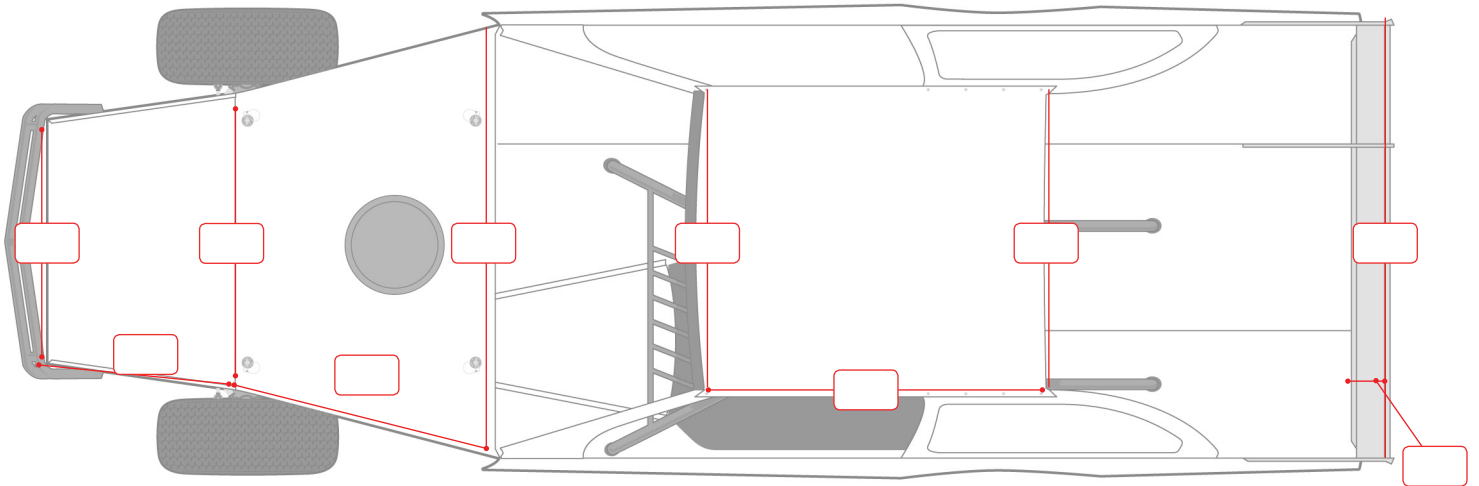


Limited Mod Measurement Sheet



(318)243-5455

fastgraphixdesigns@gmail.com

www.fastgraphixdesigns.com

Please fill in all measurements on sheet.
Once Completed make sure to put your name and contact
Information on the gray box.

Name _____

Phone# _____

Email _____

Date ___/___/___